

COAXIAL LIGHTING

CL-50

Optimal choice for inspection of dimples, dents and scratches on glossy surfaces.



GREAT IN COMBINATION WITH TELECENTRIC LENSES

INTEGRATED TRIMMER FOR LIGHT INTENSITY REGULATION

STRONG LIGHT OUTPUT IN A COMPACT HOUSING

LIGHT OPERATING MODES

PERMANENT ILLUMINATION MODE

The light is designed for both the permanent and light-triggering mode. For permanent illumination bring the voltage of 12-24 V to the pin number 4 (black wire). The light is ON during the time when the 24 V EN signal is activated. Use a PCL, camera or another binary signal source. For the light intensity control, please see the text below.

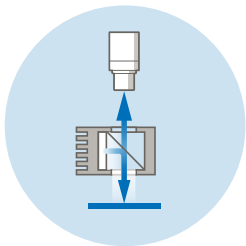
LIGHT TRIGGERING MODE

Light triggering mode saves energy and extends the lifetime of the light. Trigger operation mode is recommended when a parallel operation of 2 or more lights might affect the quality of the acquired image. To start using a triggering mode, bring the pin number 4 (black wire) to a 12-24 V signal. The light is ON when a voltage of 24 V is present at pin number 4 then. Use a PCL, camera, or another binary signal source for triggering. For the light intensity control, please see the text below.

LIGHT SOURCE INTENSITY REGULATION

The light intensity might be regulated by an integrated trimmer. Please loose the protective screw, using a screwdriver with a 2.5 mm tip size. There is a maximum lighting intensity set-up as a default.

WAYS OF USE



ORDERING CODE

example of the ordering code

CL - 50 **B** ... **BRx**
Coaxial Light Active Area Wavelength Mounting Bracket (optional)

CONFIGURATION

Model	Wavelength [nm]	Active Area [mm]
CL-50W	CTR 5600 K	50
CL-50IR	850	50
CL-50R	625	50
CL-50B	470	50


ELECTRIC PARAMETERS

Model	CL-50W	CL-50IR	CL-50R	CL-50B
U_n Voltage Span	22-28 V	22-28 V	22-28 V	22-28 V
U_{jm} Nominal Voltage	24 V DC	24 V DC	24 V DC	24 V DC
I_{jm} Nominal Current	500 mA	500 mA	500 mA	500 mA
P Input	12 W	12 W	12 W	12 W

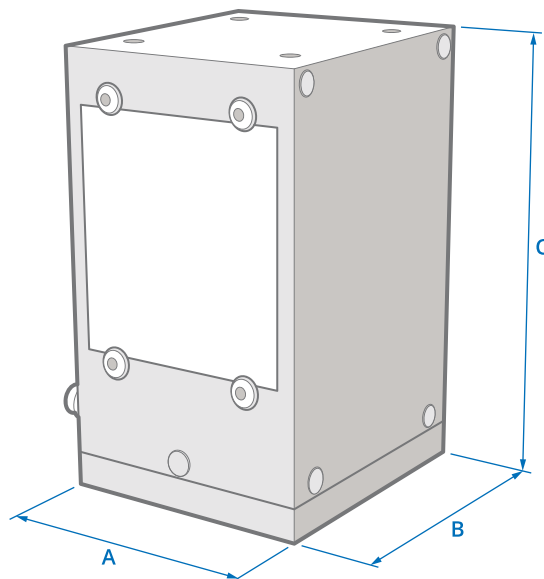
U_{trig} Trigger Voltage $\geq 12 - 28 V$ ¹ I_{trig} Trigger Current 5 mA ¹

¹ EN (Enable) trigger signal values, M8 connector – pin number 4

DIMENSIONS & WEIGHT

A Length [mm]	58
B Width [mm]	64
C Height [mm]	100
 Weight [g]	480

i For more details please see our 2D drawings.

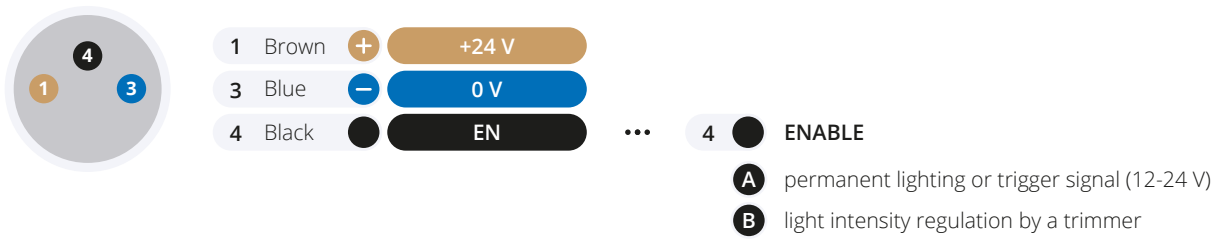


TECHNICAL DATA

IP Category: **IP20** Protection Category: **III** Ambient Temperature: **-20 - +40 °C** Housing Material: **Aluminium alloy**

CONNECTOR M8-3PIN ASSIGNMENT

light connector front view



ACCESSORIES

✓ Straight Cable M8-3PIN (5 m)

OPTIONAL ACCESSORIES

+ Angular Cable M8-3PIN (5 m)

+ Mounting brackets **CL-50W-BR7** (Cognex series IS7000)

+ Mounting brackets **CL-50W-BR8** (Cognex series IS8000)

+ Mounting brackets **CL-50W-BR9** (Cognex series IS9000)

 SmartView

**YOUR
VISION
PARTNER**



COMPANY OFFICE

Smart View s.r.o.
Nivy 313
765 02 Otrokovice
Česká republika

+420 601 575 797
+420 602 457 497

info@smartview.cz
www.smartview.cz

OUR SALES PARTNERS SLOVAKIA

MTS, spol. s r.o.
Krivá 53
027 55 Krivá
Slovensko

+421 43 5819 111

mts@mts.sk
www.mts.sk