

DOME LIGHT

DLU-140

Ideal for indirect homogeneous illumination of curved surfaces or objects.

HOMOGENOUS LIGHT FIELD

COMPACT DESIGN

UNIVERSAL MOUNTING



LIGHT OPERATING MODES

PERMANENT ILLUMINATION MODE

The light is designed for both the permanent and light-triggering mode. For permanent illumination bring the voltage of 10-24 V to the pin number 4 (black wire). The light is ON during the time when the 24 V EN signal is activated. Use a PCL, camera, or another binary signal source. For the light intensity control, please see the text below.

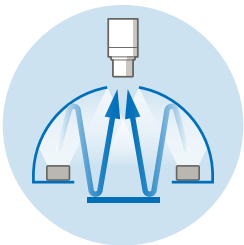
LIGHT TRIGGERING MODE

Light triggering mode saves energy and extends the lifetime of the light. Trigger operation mode is recommended when a parallel operation of 2 or more lights might affect the quality of the acquired image. To start using a triggering mode, bring the pin number 4 (black wire) to a 24 V signal. The light is ON when a voltage of 24 V is present at pin number 4 then. Use a PCL, camera, or another binary signal source for triggering. For the light intensity control, please see the text below.

LIGHT SOURCE INTENSITY REGULATION

The light intensity might be regulated by a PWM signal at a pin number 4 (black wire), or by an CM-01 external controller. The maximum PWM frequency is ≤ 40 kHz.

WAYS OF USE



ORDERING CODE

example of the ordering code

DLU - 140

B

Dome Light

Active Area

Wavelength


CONFIGURATION

Model	Wavelength [nm]	Active Area [mm]
<input type="radio"/> DLU-140W	White	140 x 90
<input type="radio"/> DLU-140R	633	140 x 90
<input checked="" type="radio"/> DLU-140B	470	140 x 90

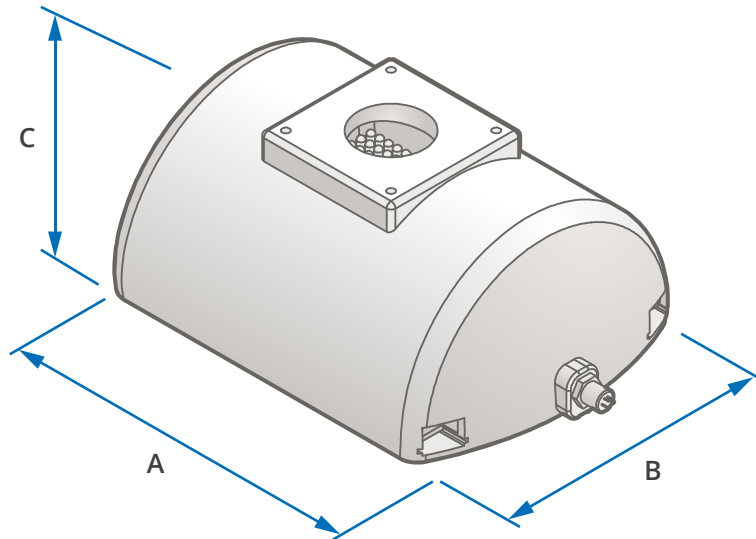
ELECTRIC PARAMETERS

Model	<input checked="" type="radio"/> DLU-140W	<input type="radio"/> DLU-140R	<input type="radio"/> DLU-140B
U_n Voltage Span	-	-	-
U_{jm} Nominal Voltage	24 V DC	24 V DC	24 V DC
I_{jm} Nominal Current	-	-	-
P Input	7.5 W	4 W	7 W

DIMENSIONS & WEIGHT

A Length [mm]	180
B Width [mm]	118
C Height [mm]	69
 Weight [g]	210

i For more details please see our 2D drawings.



TECHNICAL DATA

IP Category: **IP20**

Protection Category: **III**

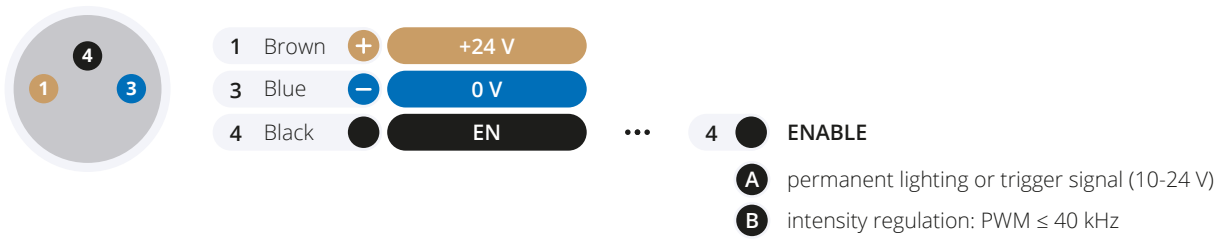
Ambient Temperature: **-20 - +40 °C**

Isolation Resistance: **500 V**

Housing Material: **ABS**

CONNECTOR M8-3PIN ASSIGNMENT

light connector front view



ACCESSORIES

✓ Straight Cable M8-3PIN (5 m)

OPTIONAL ACCESSORIES

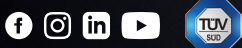
+ Angular Cable M8-3PIN (5 m)

+ Controller **Smart Light CT-SL4D**

+ Controller **CM-01**

 SmartView

**YOUR
VISION
PARTNER**



COMPANY OFFICE

Smart View s.r.o.
Nivy 313
765 02 Otrokovice
Česká republika

+420 601 575 797
+420 602 457 497

info@smartview.cz
www.smartview.cz

OUR SALES PARTNERS SLOVAKIA

MTS, spol. s r.o.
Krivá 53
027 55 Krivá
Slovensko

+421 43 5819 111

mts@mts.sk
www.mts.sk