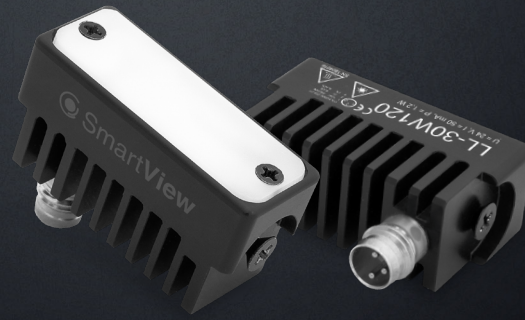


# NANO BAR LIGHT

## LL-30

Powerful compact illumination.  
Fits all space-demanding applications.



HOMOGENOUS LIGHT FIELD

1D AND 2D CODES ILLUMINATION

UNIVERSAL MOUNTING

## LIGHT OPERATING MODES

### PERMANENT ILLUMINATION MODE

The light is designed for both the permanent and light-triggering mode. For permanent illumination bring the voltage of 10-24 V to the pin number 3 (brown wire). The light is ON during the time when the 24 V EN signal is activated. Use a PCL, camera, or another binary signal source. For the light intensity control, please see the text bellow.

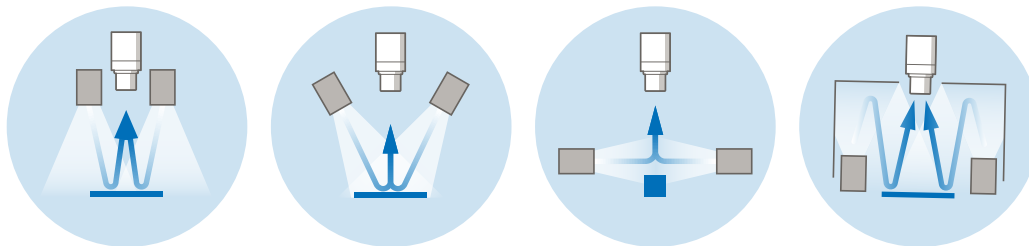
### LIGHT TRIGGERING MODE

Light triggering mode saves energy and extends the lifetime of the light. Trigger operation mode is recommended when a parallel operation of 2 or more lights might affect the quality of the acquired image. To start using a triggering mode, bring the pin number 3 (brown wire) to a 24 V signal. The light is ON when a voltage of 24 V is present at pin number 3 then. Use a PCL, camera, or another binary signal source for triggering. For the light intensity control, please see the text bellow.

### LIGHT SOURCE INTENZITY REGULATION

The light intensity might be regulated by a PWM signal at a pin number, or by an CM-01 external controller. The maximum PWM frequency is  $\leq 40$  kHz.

## WAYS OF USE



## ORDERING CODE

example of the ordering code

LL - 30 **B** - 120

Linear Light    Active Area    Wavelength    LED Beam Angle


## CONFIGURATION

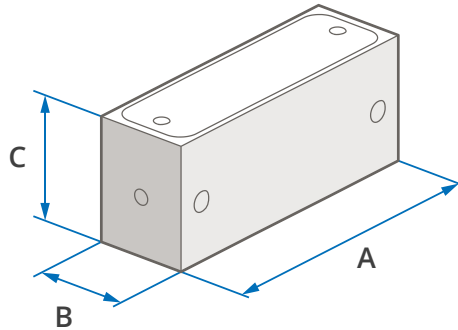
Model	Wavelength [nm]	Active Area [mm]	LED Beam Angle [°]
LL-30W	White	30 x 10	120
LL-30IR	850	30 x 10	50
LL-30R	633	30 x 10	60
LL-30G	525	30 x 10	120
LL-30B	470	30 x 10	120

## ELECTRIC PARAMETERS

Model	LL-30W	LL-30IR	LL-30R	LL-30G	LL-30B
$U_n$ Voltage Span	18-24 V	18-24 V	18-24 V	18-24 V	18-24 V
$U_{jm}$ Nominal Voltage	24 V DC	24 V DC	24 V DC	24 V DC	24 V DC
$I_{jm}$ Nominal Current	50 mA	50 mA	50 mA	50 mA	50 mA
P Input	1.2 W	1.2 W	1.2 W	1.2 W	1.2 W

## DIMENSIONS & WEIGHT

<b>A</b> Length [mm]	38
<b>B</b> Width [mm]	15
<b>C</b> Height [mm]	20
 Weight [g]	68



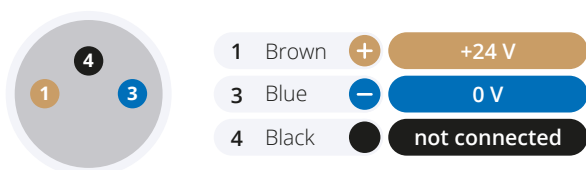
**i** For more details please see our 2D drawings.

## TECHNICAL DATA

IP Category: <b>IP50</b>	Protection Category: <b>III</b>	Ambient Temperature: <b>-20 - +40 °C</b>	Isolation Resistance: <b>500 V</b>	Housing Material: <b>Aluminium alloy</b>
--------------------------	---------------------------------	--	------------------------------------	--

## CONNECTOR M8-3PIN ASSIGNMENT

light connector front view



## ACCESSORIES

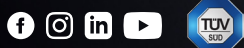
- ✓ Straight Cable M8-3PIN (5 m)
- ✓ Diffusion glass of **67-68% transparency**
- ✓ Mounting

## OPTIONAL ACCESSORIES

- + Angular Cable M8-3PIN (5 m)
- + Diffusion glass of **36-38% and 48-50% transparency**
- + Light Polarization Foil
- + Controller **Smart Light CT-SL4D**
- + Controller **CM-01**

 SmartView

**YOUR  
VISION  
PARTNER**



### COMPANY OFFICE

Smart View s.r.o.  
Nivy 313  
765 02 Otrokovice  
Česká republika

+420 601 575 797  
+420 602 457 497

[info@smartview.cz](mailto:info@smartview.cz)  
[www.smartview.cz](http://www.smartview.cz)

### OUR SALES PARTNERS SLOVAKIA

MTS, spol. s r.o.  
Krivá 53  
027 55 Krivá  
Slovensko

+421 43 5819 111

[mts@mts.sk](mailto:mts@mts.sk)  
[www.mts.sk](http://www.mts.sk)