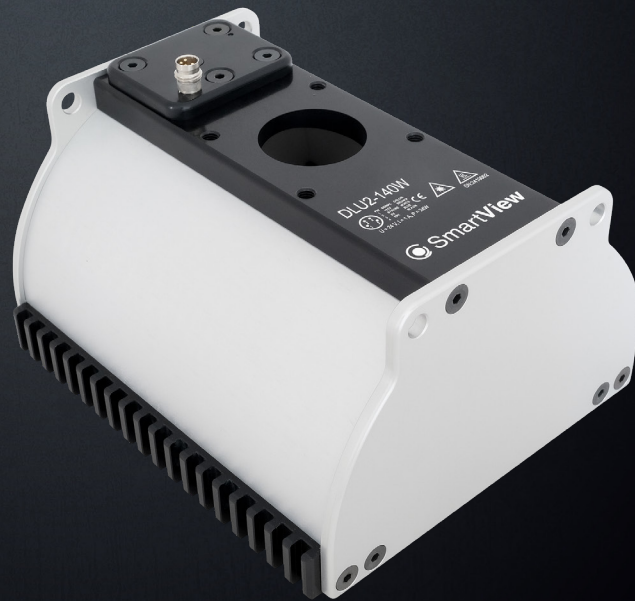


DOME LIGHT

DLU2-140

Ideal for indirect homogeneous illumination of curved surfaces or objects. Optimal illumination for glossy surfaces.



HOMOGENOUS LIGHT FIELD

ROBUST DESIGN, MADE OF ALUMINIUM ALLOY

UNIVERSAL MOUNTING

INTEGRATED INTERN LIGHT INTENSITY REGULATION

INTERNAL STROBE FUNCTION

LIGHT OPERATING MODES

PERMANENT ILLUMINATION MODE

This light is designed for both the permanent and light-triggering mode. For permanent illumination bring the voltage of 12-24 V to the pin number 4 (black wire). The light is ON during the time when the 24 V EN signal is activated. Use a PCL, camera or another binary signal source. For the light intensity control, please see the text below.

LIGHT TRIGGERING MODE

Light triggering mode saves energy and extends the lifetime of the light. Trigger operation mode is recommended when a parallel operation of 2 or more lights might affect the quality of the acquired image. To start using a triggering mode, bring the pin number 4 (black wire) to a 12-24 V signal. The light is ON when a voltage signal is present at pin number 4 then. Use a PCL, camera, or another binary signal source for triggering. For the light intensity control, please see the text below.

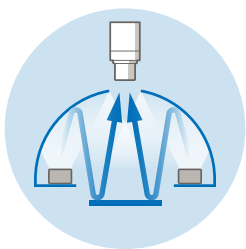
STROBE MODE

Strobe function significantly multiplies the maximum intensity of the light. The strobing function saves energy, extends the light lifetime and in many cases improves the stability of the entire inspections system. Pin number 2 (white wire) of the M8 connector is used to activate the strobe function. The maximum strobe pulse time is 470 ms, while the light idle time must be at least 3 times longer. Please do not use a trigger mode during strobing function, do not bring a voltage to the pin number 4.

LIGHT SOURCE INTENSITY REGULATION

The light intensity might be regulated by an internal trimmer.

WAYS OF USE



ORDERING CODE

example of the ordering code

DLU2 - 140

B

Dome Light

Active Area

Wavelength

CONFIGURATION

Model	Wavelength [nm]	Active Area [mm]
DLU2-140W	5700 k	140 x 90
DLU2-140IR	850	140 x 90
DLU2-140R	625	140 x 90
DLU2-140G	528	140 x 90
DLU2-140B	470	140 x 90

ELECTRIC PARAMETERS

Model	DLU2-140W	DLU2-140IR	DLU2-140R	DLU2-140G	DLU2-140B
U_n Voltage Span	19-28 V	19-28 V	19-28 V	19-28 V	19-28 V
U_{jm} Nominal Voltage	24 V DC	24 V DC	24 V DC	24 V DC	24 V DC
I_{jm} Nominal Current	1 A	1 A	1 A	1 A	1 A
P Input	24 W	24 W	24 W	24 W	24 W

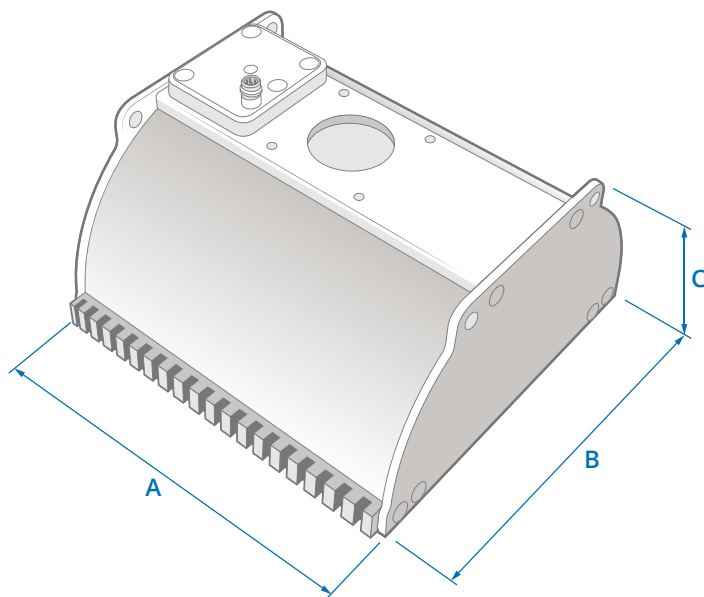
U_{trig} Trigger Voltage $\geq 2.7 - 24 V$ ¹ I_{trig} Trigger Current 5 mA ¹

¹ EN (Enable) trigger signal values, M8 connector – pin number 4

DIMENSIONS & WEIGHT

A Length [mm]	148
B Width [mm]	132
C Height [mm]	95
Weight [g]	513

i For more details please see our 2D drawings.



TECHNICAL DATA

IP Category: **IP50**

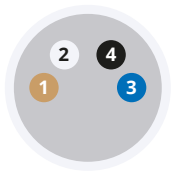
Protection Category: **III**

Ambient Temperature: **-20 - +40 °C**

Housing Material: **Aluminium alloy**

CONNECTOR M8-4PIN ASSIGNMENT

light connector front view



1	Brown	+	+24 V
2	White		EN
3	Blue	-	0 V
4	Black		EN

...

2 ENABLE - strobe mode (+24 V)

...

4 ENABLE

A permanent lighting or trigger signal (12-24 V)

B light intensity regulation: internal trimmer

ACCESSORIES

✓ Straight Cable M8-4PIN (5 m)

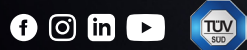
OPTIONAL ACCESSORIES

+ Angular Cable M8-4PIN (5 m)

+ Controller **CM-01**

 SmartView

**YOUR
VISION
PARTNER**



COMPANY OFFICE

Smart View s.r.o.
Nivy 313
765 02 Otrokovice
Česká republika

+420 601 575 797
+420 602 457 497

info@smartview.cz
www.smartview.cz

OUR SALES PARTNERS SLOVAKIA

MTS, spol. s r.o.
Krivá 53
027 55 Krivá
Slovensko

+421 43 5819 111

mts@mts.sk
www.mts.sk